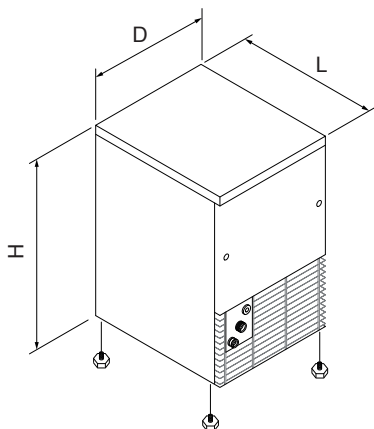


IM20

Produttori di ghiaccio
Ice cube makers



Model	IM20
Cooling BTU/h	9.000
Heating BTU/h	4.000
Production up to kg/h	20/24
Condensing	Aria / Air
Refrigerant gas	R 404 A
Water inlet diameter	3/4"
Drain discharge diameter mm	24
Net - gross weight kg	28 - 31
Sizes with packaging mm	400x470x760
Power W	330
Standard voltage V-Hz-Ph	220/240 - 50 - 1
Bin capacity kg	4
Water consumption l/kg	4,5